

# SPK-21

16 TONS





# SPK-21

## 16 TONS

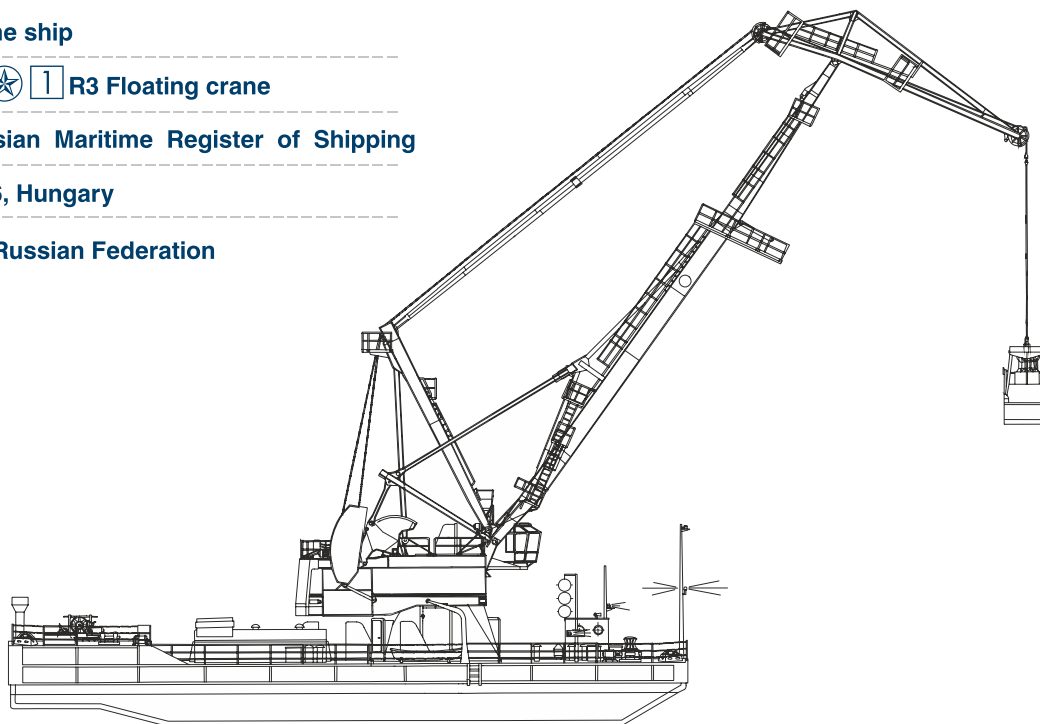
|                        |  |
|------------------------|--|
| Type                   | Crane ship   |
| Vessels Class          | KE   R3 Floating crane |
| Classification Society | Russian Maritime Register of Shipping  |
| Built                  | 1976, Hungary  |
| Flag                   | the Russian Federation   |

### Particulars

|                   |      |
|-------------------|------|
| Length overall, m | 34,1 |
| Breadth, m        | 15,6 |
| Depth, m          | 3,1  |
| Draught, m        | 1,9  |
| Airdraft, m       | 30   |
| GRT, t            | 490  |
| NRT, t            | 147  |
| Deadweight, t     | 168  |
| Displacement, t   | 582  |

### Tank capacity

|                |      |
|----------------|------|
| Fuel, t        | 66   |
| Fresh water, t | 11,4 |



### Performance

|                            |             |
|----------------------------|-------------|
| Crane                      | <b>Ganz</b> |
| Grab operation capacity, t | <b>16</b>   |
| Hook operation capacity, t | <b>16</b>   |
| Hoisting height, m         | <b>16</b>   |
| Outreach, m                | <b>30</b>   |